

RoHS Compliant

ADM808 Duplicator

Specification

January 5, 2010

Version 1.0



Apacer Technology Inc.

4th Fl., 75 Xintai 5th Rd., Sec.1, Hsichih, Taipei Hsien 221, Taiwan

Tel: +886-2-2698-2888 Fax: +886-2-2698-2889

www.apacer.com

Features:

- **Target**
 - 1:7
- **Operation**
 - Standalone
- **Support Media**
 - ADM 40/44 pin
- **Display**
 - 2*20 Monochrome LCD display
- **LED**
 - LED (Green/Red) on each slot
- **Control Button**
 - 4 push buttons (Forward, Backward, OK, ESC)
- **Temperature**
 - 5°C ~ 45°C for operation
 - -25°C ~ 80°C for storage
- **Humidity**
 - 20% ~ 80 % for operation
 - 5% ~ 95% for storage
- **Power Supply**
 - 80 ~ 180W; 100 ~ 240V
- **Safety**
 - FCC, CE, RoHS

Table of Contents

1. GENERAL DESCRIPTION	3
1.1 EDGES	3
2. APPEARANCE	4
3. FUNCTIONS DESCRIPTION	5
3.1 COPY	5
3.2 COMPARE	5
3.3 COPY + COMPARE	5
3.4 ACTUAL CAPACITY CHECK	5
3.5 INFORMATION	5
3.6 UTILITY	5
3.7 SYSTEM SETTING	6
4. ELECTRICAL & ENVIRONMENTAL SPECIFICATION	8
4.1 ELECTRICAL SPECIFICATION	8
4.2 ENVIRONMENTAL SPECIFICATION	8
5. PHYSICAL CHARACTERISTICS	9
5.1 DIMENSION	9

1. General Description

Apacer's ADM808 Duplicator is a performance duplicator with the transfer rate up to 33 MB/s, which makes every action in copying, verifying, benchmarking, or formatting of each individual media in the slot achieve high speed to get the job done. ADM808 is a genuine multitasking fabricate duplicator with exclusive processors for each single slot so that no interruption should occur if checking status or progress with buttons since actions are independent from screen display. Data of each individual media in the slot can be verified in the speed of 33 MB/s. ADM808 is capable of detecting incorrect capacity and poor quality of media as well as the supported read & write speed, and is able to automatically recognize the capacity and quick format in reserved existing FAT format which are factory specific functions. No extra button press is required for users to continuously replace media until getting all the jobs done as ADM808 works asynchronously with high efficiency. Moreover, ADM808 is designed as a 32-bit multitasking embedded system for fast and easy instant booting rather than a PC based framework that is prone to computer virus threat. Not only is there no imitation capacity or file format with ADM808 for duplication, but also ADM808 comes with CRC validation for data correction.

1.1 Edges

- **Efficiency**

For mass duplications in a period, ADM808 produces ten times or more than a PC does.

- **Multitasking**

ADM808 duplicates in multitasking as the framework of workstation and simultaneously cloned media in the slots. Each action, such as inquiring status while duplicating or verifying, is independent from the screen display without any interruption, which is impossible for non-multitasking computers to achieve. When PC is used to duplicate with external hub, it works in simplex way. Though media are inserted in slots, only one slot acts at the same time.

- **Instant Power On/Off**

It takes only few seconds to boot up ADM808, and ADM808 can be shut down instantly any time when no longer in use. No damage should occur to the device.

- **High Speed Data Verification**

ADM808 provides easy and fast data correctness and does not require any software installation like PCs.

2. Appearance



Figure 2-1: LCD panel

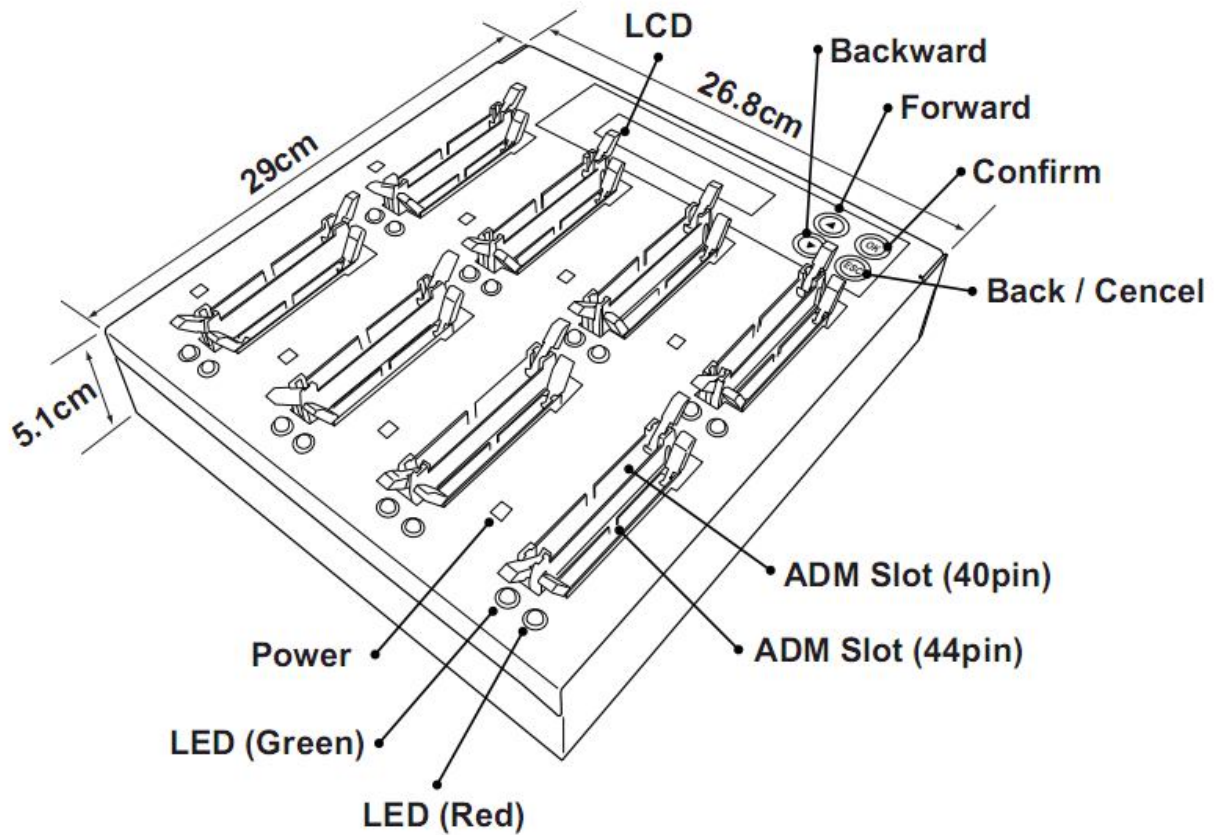


Figure 2-2: Apacer ADM808 Externals

Note: Green LED blinks while duplicating. Green LED keeps on when finished. RED keeps on when duplication fails. Never remove duplicating media when Green LED blinks.

3. Functions Description

3.1 Copy

This function duplicates media from source to target(s).

3.2 Compare

This function compares data from source to target(s) to ensure integrity.

3.3 Copy + Compare

This function compares data from source to target(s) soon to ensure correctness after duplication.

3.4 Actual Capacity Check

This function checks actual and available capacity of media.

3.5 Information

- **Media Information**

This function displays media information of file system format and capacities.

- **System Information**

This function displays duplicator information of model number and firmware version.

3.6 Utility

- **FAT 16/32 Formatting**

This function formats media to FAT file system. Media with capacity larger than 2 GB or will be formatted in FAT 32, and media with capacity of 2 GB or smaller, FAT 16. File system in media remains if previously been formatted.

- **Speed Measurement**

This function tests both reading and writing speeds of media without damaging the file system and the content.

- **Media Check**

This function checks if storage blocks on media fail.

- **Safe**

This sub-function reads every block of media to ensure each block is readable, and it will not destroy contents and file system of media,

- **Normal**

This sub-function reads and writes every block of media to ensure each block is accessible, so it will destroy contents and file system of media.

- **Setup Range**

This sub-function is to set percentage of media to be checked.

- **Quick Erase**

This function erases all the content of media but the file system.

- **Full Erase**

This function sanitizes every bit of the media as well as the file system and takes longer time to accomplish the procedure.

- **System Update**

This function updates system firmware via media.

3.7 System Setting

- **Startup Menu**

This function is to set the item of functions to be display on the LCD screen when ADM808 is on.

- **Copy Area**

- **Only Data Area**

This sub-function supports FAT 16/32, NTFS, and EXT 2/3 file systems. ADM808 will automatically detect and copy data area when engaged.

– **Whole Area**

This sub-function supports any file system other than FAT 16/32, NTFS, and EXT 2/3 file systems for duplicating all blocks, including free blocks, on source media to target media.

● **Beep**

This function is to set the beep sound of button on/off.

● **Asynchronous Hold Time**

This function is to set the seconds to wait before exiting asynchronous duplication.

● **Ignore Size**

This function is set to ignore or check the capacity of source and target media.

● **Asynchronous**

This function is set to enable or disable asynchronous duplication.

● **Language**

This function is to set custom language of the operating interface.

● **Working Mode**

This function is to set “Speed” or “Normal” mode for reading and writing.

4. Electrical & Environmental Specification

4.1 Electrical Specification

Table 4-1: Operating range & consumed watts

Ambient Temperature	Power Supply	Watts
5°C to 45°C	100 ~ 240V	80 ~ 180W

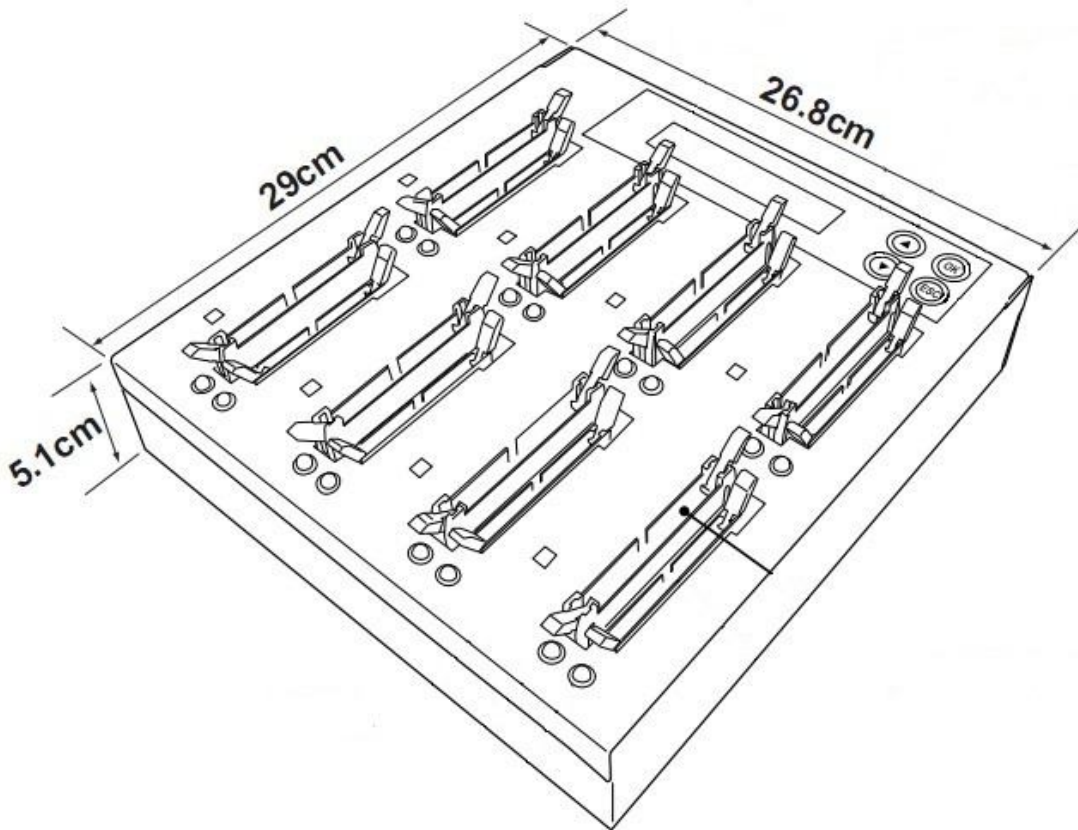
4.2 Environmental Specification

Table 4-2: Environmental specifications

Environment		Specification
Temperature	Operation	5°C to 45°C
	Storage	-20C to 85°C
Humidity	Operation	20% to 80% RH
	Storage	5% to 95% RH

5. Physical Characteristics

5.1 Dimension



Unit: cm
Tolerance: ± 0.025

Revision History

Revision	Date	Description	Remark
0.1	11/27/2009	Preliminary release	
1.0	01/05/2010	Official release	

Global Presence

Taiwan (Headquarters)	Apacer Technology Inc. 4 th Fl., 75 Xintai 5 th Rd. Sec. 1 Hsichih, 221 Taipei Hsien Taiwan, R.O.C. Tel: +886-2-2698-2888 Fax: +886-2-2698-2889 amtsales@apacer.com
U.S.A.	Apacer Memory America, Inc. 386 Fairview Way, Suite102, Milpitas, CA 95035 Tel: 1-408-518-8699 Fax: 1-408-935-9611 sa@apacerus.com
Japan	Apacer Technology Corp. 5F, Matsura Bldg., Shiba, Minato-Ku Tokyo, 105-0014, Japan Tel: 81-3-5419-2668 Fax: 81-3-5419-0018 jpservices@apacer.com
Europe	Apacer Technology B.V. Europalaan 89 5232 BC 'S-Hertogenbosch The Netherlands Tel: 31-73-645-9620 Fax: 31-73-645-9629 sales@apacer.nl
China	Apacer Electronic (Shanghai) Co., Ltd 1301, No.251,Xiaomugiao Road, Shanghai, 200032, China Tel: 86-21-5529-0222 Fax: 86-21-5206-6939 sales@apacer.com.cn
India	Apacer Technologies Pvt. Ltd. #143, 1st Floor, Raheja Arcade, 5th Block Kormangala Industrial Layout, Bangalore - 560095, India Tel: 91-80-4152-9061 sales_india@apacer.com