

Apacer

Purge & Quick Erase

*HW Development Dept.
6 May 2009*

Purge Command

- Apacer's purge (sanitize) command will destroy any possible retrieval to the previous stored data on the drive
- *As purge (sanitize) command is executed, the device is no longer available or recoverable*
- Useful in various military applications

Purge Timing Chart

- Test results based on the SAFD253 32GB model. Times may vary based on different capacities and models.

Mode	Time (seconds)
DoD 5220.22-M	460
NSA Manual 130-2	450
USA-AF AFSSI 5020	440
USA-Army 380-19	1290
USA Navy NAVSO P-5239-26	690
NISPOMSUP Chap 8, Sect. 8-501	1290
IREC (IRIG) 106	885

Quick Erase Command

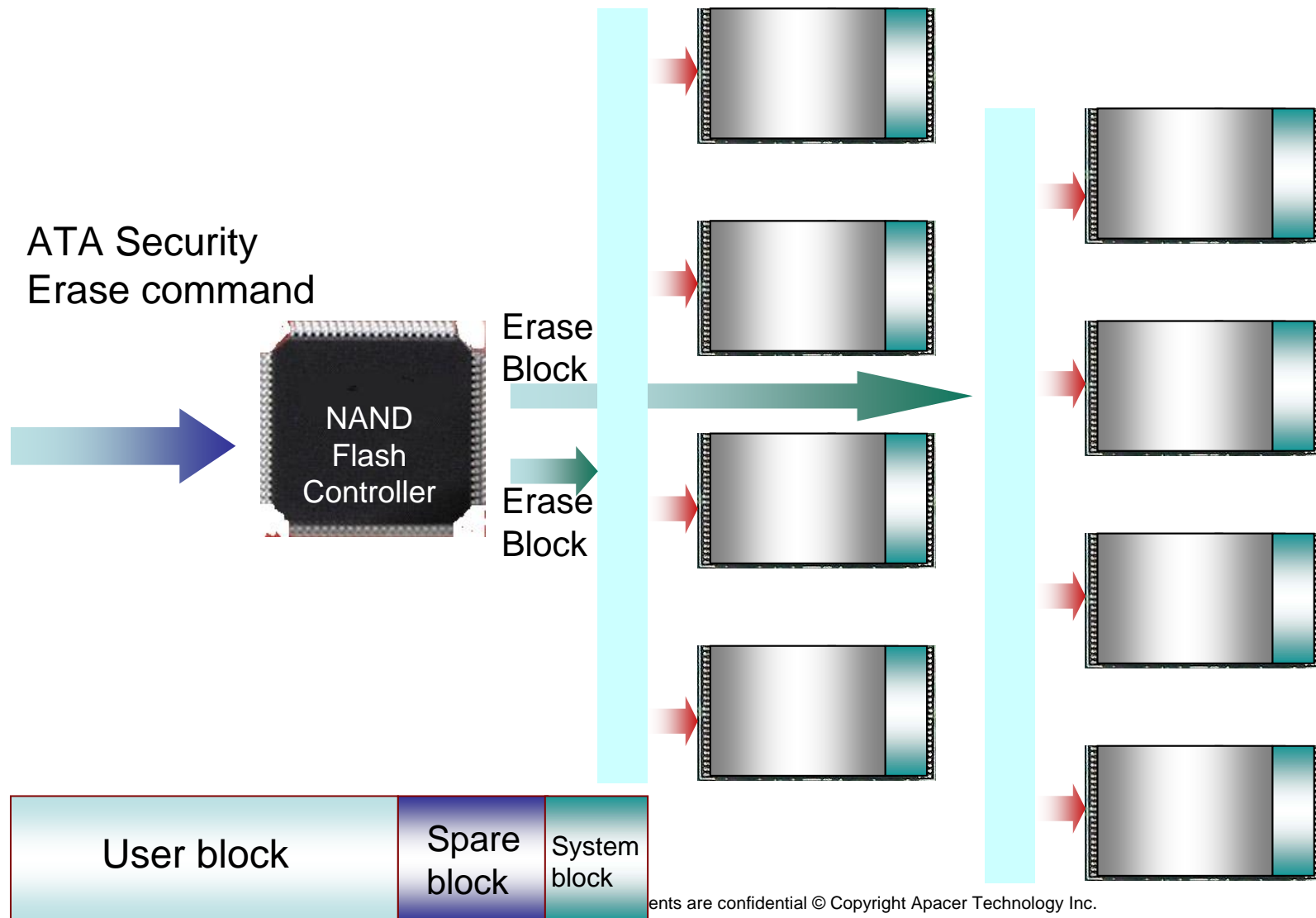
- Available on all VA series products
- Adopts ATA “security erase” command
- Quick erases all blocks
 - User blocks & Spare blocks
- Erases up to 8 chips simultaneously

Quick Erase Timing Chart

- Test results based on the SAFD253 model. The processing times may vary on different platforms
- **Note:** Unlike the Purge command the drive is not destroyed, can be reused

Capacity	Time (seconds)
64GB	60
32GB	30
16GB	20
8GB	10

Quick Erase





Apacer

www.apacer.com

© Copyright Apacer Technology Inc. Confidential. Unauthorized use, dissemination, distribution, or reproduction of this document is not allowed without the permission of Apacer Technology Inc. Specifications or details may change without notice.