

APPROVAL SHEET

Part Description

Switching Power Supply

Customer

Part No.

DD-ITX120A(Rev.:2.02)

Approved Signatures			
CUSTOMER		APPROVED	DESIGN
APPROVED DATE :			

WE ARE PLEASED IN SENDING YOU HEREWITH OUR SPECIFICATION AND DRAWINGS FOR YOUR APPROVAL. PLEASE RETURN TO US ONE COPY WITH YOUR APPROVED SIGNATURES.

Revision History

(DD-ITX120A)

Approval No.	Description	Rev. date	Page	Rev No.
	Build up.	2009/6/19	1~8	2.02

Contents

1. Electrical Specifications	4
2. Environmental Specifications	6
3. Mechanical Specifications	7
4. Overall Appearance	8

1 Electrical Specifications:

1.1 Input:

Input	Current, A	V, Min.	V, Typ.	V, Max.	Efficiency	Remark
Vin(120W)	12, Max.	12	12.3	12.6	0.90	DC

1.2 Output:

General load

(120W)

Parameter	Minimum	Normal	Maximum	Unit
+12V1	1	5.9	7	Amps
+5V	0.0	5.1	8	Amps
+3.3V	0.0	3.8	6	Amps
-12V	0.0	0.17	0.2	Amps
+5VSB	0.0	1.7	2	Amps

Total combined output of 5V and 3.3V is $\leq 45W$.

Regulation & Ripple Noise

Output	Ripple & Noise	V, Min.	V, Typ.	V, Max.	Remark
+5VDC	50mV	4.84	5.1	5.35	-----
+3.3VDC	50mV	3.14	3.3	3.46	-----
+12VDC	120mV	11.4	12	12.6	-----
-12VDC	120mV	-10.8	-12.0	-13.2	-----
+5VSB	50mV	5.00	5.0	5.25	-----

Notes:

- The ripple and noise is measured at each individual output when the power is at its maximal output current and minimal input DC. It is measured with a 0.1uF ceramic capacitor and a 47uF/50V Aluminum Electrolytic capacitor in parallel with that under test output pin and GND pin. The probe tip and ground reference cable should be removed and touch output pin directly. The band-width of the oscilloscope should be limited to 20MHz as a de-facto standard.

G-ALANTIC ENTERPRISE CO., LTD.

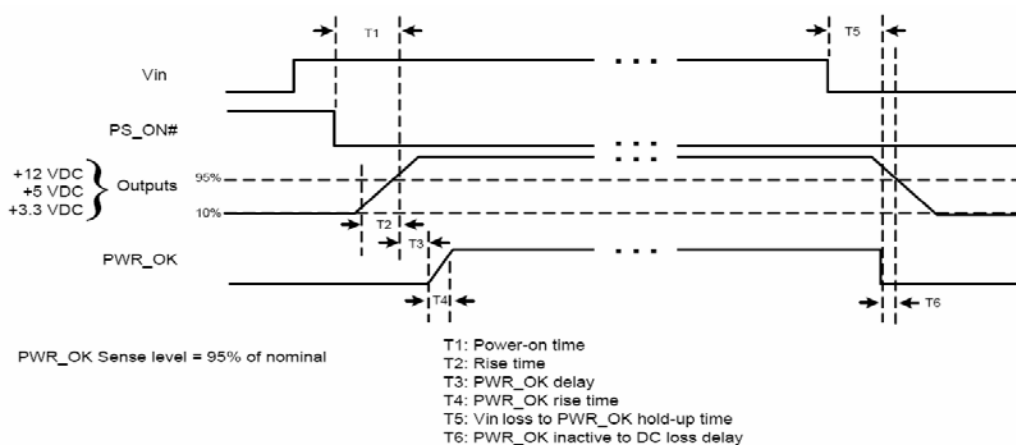
3F, No. 160, Li De St., Chung Ho City 235,
Taipei Hsien, Taiwan, R.O.C.
Tel: +886-2-8228-7780 (REP)
Fax: +886-2-8228-2124
<http://www.g-alantic.com.tw>
<http://www.zooty.com.tw>



1.3 Protections :

No.	Item	Specification	Action
1	Output Over-current Protection	+5VSB @ 4.0A typ. +12V by front-end DC source +5V @ 13A typ. +3.3V @ 11A typ. -12V @ 3.3W typ.	Shutdown or Fuse Open
2	Output Short-circuit Protection	+5VSB, +12V, +5V, +3.3V & -12V	Shutdown or Fuse Open
3	Output Over-voltage Protection	+5V @ 7.5V, Max. +3.3V @ 5V, Max. +12V @ 15V, Max	Shutdown & latched
4	Output Under-voltage Protection	+5V @ 3.7V, Max +3.3V @ 2.4V, Max	Shutdown & latched

1.4 Timing Control:



PWR_OK Signal Timing

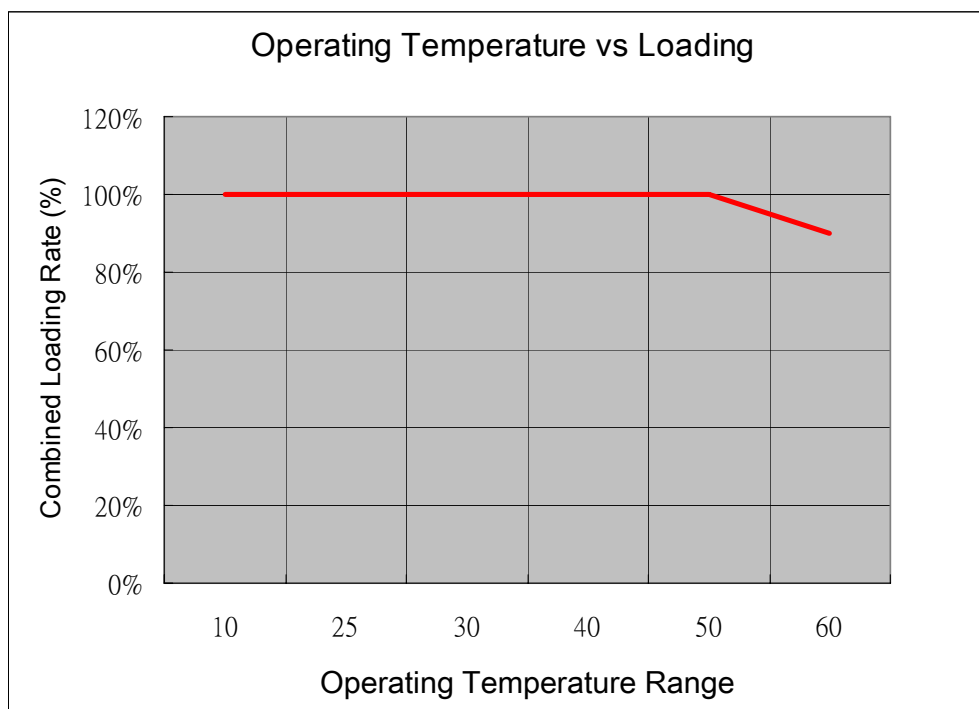
Parameter	Description	Value
T1	Power-on time	< 500 mS
T2	Rise time	0.2 ~ 20 mS
T3	PWR_OK delay	< 500 mS
T4	PWR_OK rise time	< 10 mS
T5	Vin loss to PWR_OK hold-up time	> 16 mS
T6(1)	PWR_OK inactive to DC loss delay	> 1 mS

Note 1: Exclude +12V.

2 Environmental Specifications:

No.	Item	Condition	Specification
1	Temperature:	Operating: Storage:	10~50°C -40~70°C
2	MTBF:	Ambiance temperature @25°C	>100,000Hr at 75% load

2.1 Down Grade Curve :



3 Mechanical Specifications:

CN101: Input Connector

Pin	Signal
1	+12VDC
2	+12VDC
3	COM
4	COM

CN102 : Main Power Connector (ATX 20Pin)

Pin	Signal	Pin	Signal
1	+3.3 VDC	11	+3.3 VDC
2	+3.3 VDC	12	-12 VDC
3	COM	13	COM
4	+5 VDC	14	PS_ON
5	COM	15	COM
6	+5 VDC	16	COM
7	COM	17	COM
8	PWR OK	18	N.C.
9	5 VSB	19	+5 VDC
10	+12 VDC	20	+5 VDC

CN103: ATX +12V 4Pin Connector

Pin	Signal
1	COM
2	COM
3	+12 VDC
4	+12 VDC

