

VSSD-G5



VSSDs deliver all the advantages of solid state storage without the high sticker price most SSDs carry, which means you get performance and reliability on a budget. With no moving parts, VSSDs are exceptionally rugged compared to HDDs, enjoying far superior resistance to shock and vibration. Super Talent VSSD offers shorter boot up times, faster application loading, less power consumption and a brand new experience the customer can never get from traditional hard disks. The VSSD also takes full advantage of the 3Gbps SATA-II bandwidth showing off sequential read speeds of up to 160MB/sec and sequential write speeds of up to 80MB/sec. Available in capacities from 8GB to 64GB, Super Talent allows customers to enter the SSD world with a limited budget but enjoy the performance SSD brings to their computers. Customers now can build a fast system with the operating system and applications running at maximum performance on the SSD while storing large amounts of data on a traditional hard-disk.

Physical Specifications

Form Factor	2.5"
Capacity*	8GB - 64GB
Dimension	69.85 x 100.20 x 9.50 mm
SATA Interface	Serial ATA-II 3Gbps
NAND Flash	MLC
Power Supply	5V ± 10%
Package	Protective polymer casing

Environmental Specifications

Operating Shock	1500G
Operating Vibration	16G
Operating Temp.	0°C to +70°C

Performance Specifications

	Seq. Read (max)	Seq. Write (max)
8GB	35 MB/sec	10 MB/sec
16GB	70 MB/sec	25 MB/sec
32GB	115 MB/sec	45 MB/sec
64GB	160 MB/sec	80 MB/sec

Reliability Specifications

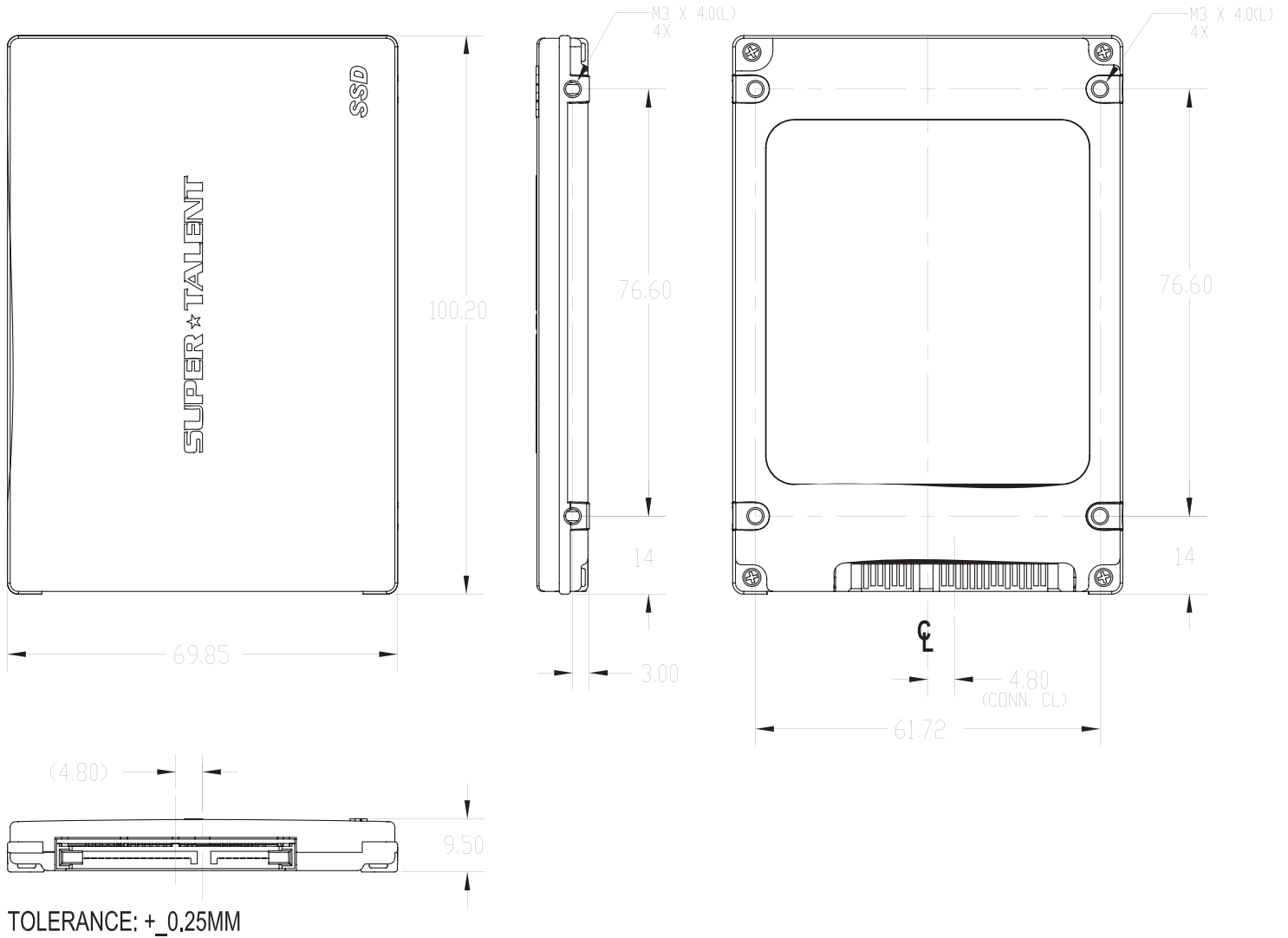
MTBF	1,000,000 hours
Data Reliability	Built-in EDC/ECC function
Data Retention	5 years
Wear Leveling Algor.	Patent Pending

Ordering Information

8GB	FTM8G525V
16GB	FTM16G525V
32GB	FTM32G525V
64GB	FTM64G525V

■ ■ VSSD-G5

Mechanical Specifications



■ ■ VSSD-G5

Mechanical Specifications

