

## AMOS Series

NEW

VIA

# AMOS-5430

Fanless, Compact Embedded Chassis Kit for EITX-3000 Embedded Board Stacked with EMIO-3430 I/O Card



## Features

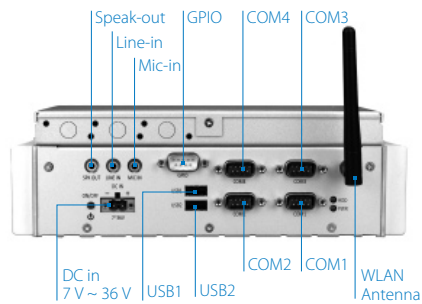
- Fanless operation
- High, scalable performance with low power consumption
- Easy, quick installation and maintenance
- Modularized design with compact dimensions: 232.6mm (W) x 73.2mm (H) x 126mm (D)
- Easy to use inter-changeable and customizable front and rear panels
- Build-in rich I/O functional feature cutouts for easy external access
- Maximum space efficiency for optimized electromagnetic compatibility

## Specifications

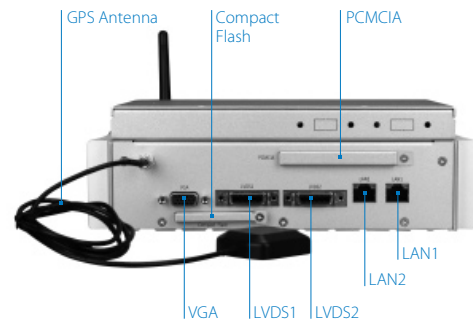
Model Name	AMOS-5430	
Chassis Construction	<b>Construction</b>	Metal chassis housing Dual front & rear metal face plate Aluminum bottom chassis housing mixed copper heat-pie (installed with EITX-3000 board)
	<b>Dimension</b>	232.6mm (W) x 73.2mm (H) x 126mm (D) (when system equipped with aluminum bottom chassis housing)
	<b>Weight</b>	1.0 Kg (front plate & rear plate & top storage chassis) 2.8 Kg (front plate & rear plate & top storage chassis & aluminum bottom chassis housing)
Front I/O Ports	<b>LED</b>	1 x Green color LED to indicate the Power on/off status 1 x Red color LED to indicate the HDD activities status
	<b>COM</b>	4 x Front-access COM ports by 4 x D-Sub 9-pin connectors (onboard 2 x RS232/422/485 by 2xDB-9 connectors of COM 1~2, with support of RS485 AutoFlow Control, 2 x RS232 by 2 x DB-9 connectors of COM 3~4)
	<b>USB</b>	2 x Front-access USB ports (onboard 2 x USB connectors, USB 2.0 compliant)
	<b>GPIO</b>	1 x Front-access GPIO port by D-sub 9-pin male connector (optional GPIO cable to support GPIO connector)
	<b>Audio</b>	3 x Front-access 3.5Φ audio jack as Speak-out, Line-in, Mic-in (via board to board cable from audio pin header on EMIO-3430 module to EITX-3000 board)
	<b>Power Input</b>	1 x 2-pole Phoenix power input connector (onboard power input connector)
	<b>Power on/off Switch</b>	1 x ATX Power on/off button (onboard power on/off button)
	<b>Antenna Hole</b>	1 x Antenna hole to support optional Wireless LAN module
Rear I/O Ports	<b>VGA</b>	1 x Rear-access D-sub 15-pin VGA connector (onboard D-Sub 15-pin VGA connector)
	<b>LVDS</b>	2 x Rear-access D-sub 26-pin LVDS connectors (onboard 2 x DB-26 connectors as LVDS_1 and LVDS_2)
	<b>LAN</b>	2 x Rear-access RJ-45 connectors (onboard 2 x GigaLAN connectors as GigaLAN_1 and GigaLAN_2)
	<b>PC Card slot</b>	1 x PC card slot (support both CardBus / PCMCIA card)
	<b>USB</b>	Reserved cutouts for additional support of 2 x mini-DIN connectors via cable located on rear of storage chassis on top, when system is equipped with 1 * hard disk drive ONLY
	<b>Antenna Hole</b>	1 x Antenna hole to support optional GPS module
	<b>HDD Bay</b>	Default support 1 x 2.5" SATA hard disk drive bay located on top storage chassis Supports 2 x 2.5" SATA hard disk drive bays on top storage chassis (optional)
Drive Bay	<b>HDD Bay</b>	Default support a Compact Flash socket support type I/II from EITX-3000 board



## Front System IO



## Rear System IO



## Specifications

<b>Model Name</b>	<b>AMOS-5430</b>	
<b>Mounting</b>	Supports table mount, wall mount (optional) Support VESA mount (optional)	
<b>Environmental Specifications</b>	<b>Operating Temperature</b>	0°C up to 45 °C (when system equipped with HDD) -20°C up to 45°C (when system only equipped with Compact Flash)
	<b>Storage Temperature</b>	-20°C ~ 60 °C
	<b>Relative Humidity</b>	0 ~ 90% @ 45°C, non-condensing
	<b>Vibration Loading During Operation</b>	With Compact Flash disk: 5Grms, IEC 60068-2-64, random, 5 ~ 500Hz, 1 Oct./min, 1hr/axis
	<b>Shock During Operation</b>	With Compact Flash disk: 50G, IEC 60068-2-27, half size, 11 ms duration
	<b>EMC Approved</b>	CE, FCC,CCC Class A
	<b>Safety Approved</b>	CB, CCC
<b>Software Compatibility</b>	<b>Operation System</b>	Microsoft Windows XP, Windows 7, Microsoft Windows XP Embedded Standard, Windows Embedded Standard 7, Linux Debian 5.0.3 (Kernel 2.6.32)

## Ordering Information

Part Number	Description
AMOS-5430-1MSZA1	AMOS Embedded Chassis Kit Compatible with EITX-3000 + EMIO-3430
AMOS543010001-T	Bare Bone System, AMOS-5430 Chassis + 1.3 GHz Nano™ E EITX-3000 System Board + EMIO-3430-01A1 Bundle
AMOS543010002-T	Bare Bone System, AMOS-5430 Chassis + 1.3 GHz Nano™ E EITX-3000 System Board + EMIO-3430-02A1 Bundle
AMOS543010003-T	Bare Bone System, AMOS-5430 Chassis + 1.0 GHz Nano™ E EITX-3000 System Board + EMIO-3430-01A1 Bundle
AMOS543010004-T	Bare Bone System, AMOS-5430 Chassis + 1.0 GHz Nano™ E EITX-3000 System Board + EMIO-3430-02A1 Bundle

## Optional Accessories

### External AC-to-DC Adapter and Power Cable

Part Number	Description
99G63-020186	AC-to-DC adapter, DC 19V/90W with 2-pole Phoenix Power Plug
99G33-02058C	Power Cable, 180 cm, USA type
99G33-02057C	Power Cable, 180 cm, Europe type

## Optional Accessories

Mounting/HDD Bracket Kit	
Part Number	Description
AMOS-5000-2WZZA1	Mounting bracket kits for wall and table mount
AMOS-5430-1HZZA1	HDD bracket kit, including two HDD brackets, four screws and four washers

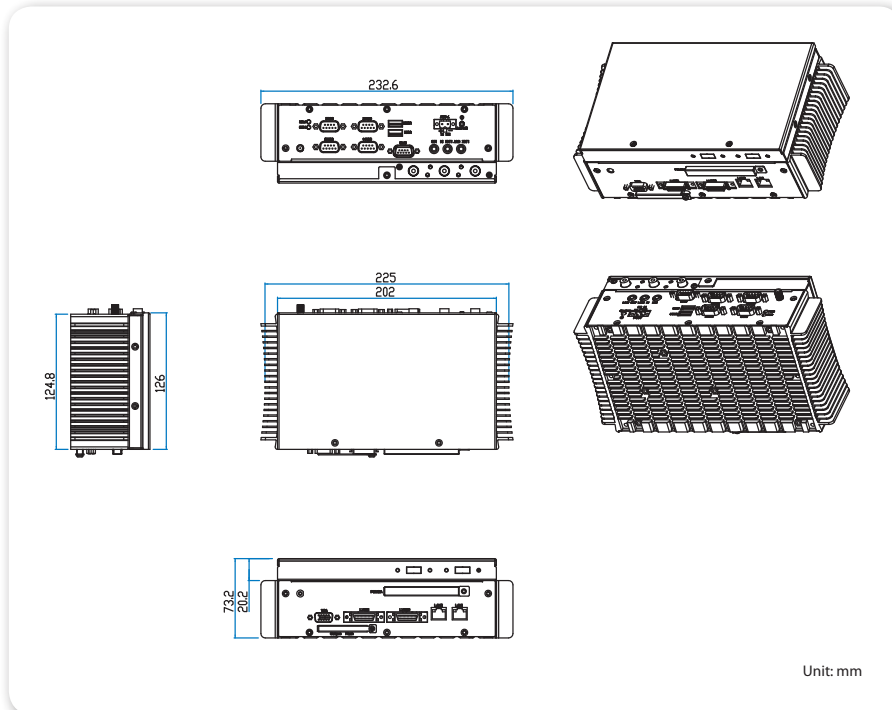
  

RAM Module, Flash Disk, and 2.5" Hard Disk Drive	
Part Number	Description
99G06-010408	2GB DDR2 667MHz, 128Mx8 SDRAM SODIMM, Industrial Grade, for using at environmental temperature up to 50°C
99G06-010398	1GB DDR2 667MHz, 128Mx8 SDRAM SODIMM, Industrial Grade, for using at environmental temperature up to 50°C
99G06-010178	1GB DDR2 667MHz, 64Mx8 SDRAM SODIMM, Industrial Grade, Tc of -40 ~ 85°C
99G06-010338	1GB DDR2 667MHz, 64Mx8 SDRAM SODIMM, Industrial Grade, Tc of 0 ~ 85°C
99G61-060011	1GB Compact Flash Disk, Industrial Grade, -40°C ~ 85°C
99G61-060021	2GB Compact Flash Disk, Industrial Grade, -40°C ~ 85°C
99G61-060031	4GB Compact Flash Disk, Innodisk, Industrial Grade, -40°C ~ 85°C
99G61-020146	250GB, TOSHIBA 2.5" SATA HDD 5400RPM
99G61-020156	320GB, TOSHIBA 2.5" SATA HDD 5400RPM

Embedded OS (Only available for T-Parts OEM service)	
Part Number	Description
POS-MEXSLI-ENS09	Windows XP Embedded Standard Image & License for AMOS-5430 English Version
POS-ME7SLI-ENS09 (available soon)	Windows Embedded Standard 7 Image & License for AMOS-5430 English Version (Require minimum 4G Compact Flash)
POS-ME7CLI-ENS09 (available soon)	Windows Embedded Standard 7 Compact size Image & License for AMOS-5430 English Version (Require minimum 2G Compact Flash)

## Dimensions



## Packing List

- 1 x AMOS-5430 front I/O panel
- 1 x AMOS-5430 rear I/O panel
- 1 x AMOS-5430 storage chassis top case
- 1 x AMOS-5430 storage chassis bottom case
- 1 x Digital I/O cable
- 1 x SATA data and power cable
- 2 x Hard disk drive brackets
- 4 x HDD dampers
- 4 x HDD screws
- 1 x Hex screw pack
- 2 x Screws package (for fastening chassis kits)
- 1 x Compact Flash cover
- 1 x PCMCIA cover
- 2 x Antenna covers
- 1 x Quick Guide