

Embedded Systems

NEW

VIA

ARTiGO A1150

Barebone System with
EPIA-P900 Pico-ITX Board,
with HDMI®, VGA, HD Audio,
4 USB Host/1 USB Device, &
GbE LAN

Features

- Built with VIA Eden™ X2 processor based on EPIA-P900 embedded board
- Integrated VIA Chrome 9™ HD DX9 3D/2D video processor with MPEG-2, DivX, WMV9/VC1, H.264 video decoding acceleration
- Supports DDR3 1066 204-pin, SDRAM SODIMM socket
- Onboard Gigabit Ethernet
- One USB client port, user friendly and quick data transmission
- Supports one 2.5" SATA HDD installation
- Supports one SD card slot (optional)
- Space saving, low power consumption, ultra compact design

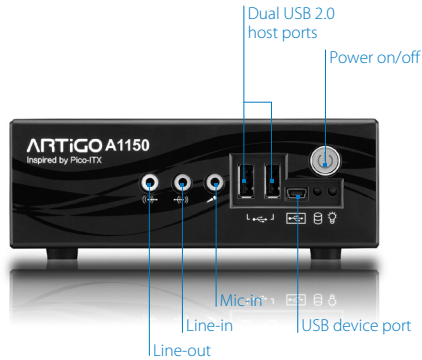


Specifications

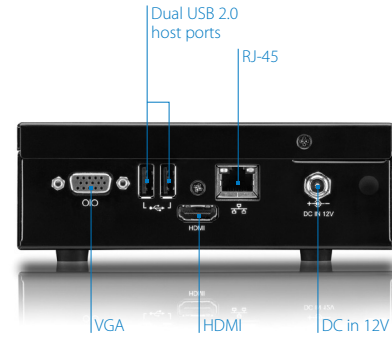
Part Number	ATG-1150-1N12A1	
Computing System	Processor	1.0GHz VIA Eden™ X2
	Front Side Bus	800 MHz
	L2 Cache	2MB
	Chipset	VIA VX900 Unified Digital IGP chipset
	BIOS	AMI BIOS, 8 Mbit SPI Flash BIOS
	System Power Management	Timer Power-on ACPI supported
Memory	Technology	1 x DDR3 1066 204-pin, SDRAM SODIMM socket
	Max. Capacity	Up to 4GB memory size
Graphic	Controller	Integrated VIA Chrome 9™ HD DX9 3D/2D video processor with MPEG-2, WMV9/VC1, H.264 video decoding acceleration DirectX 9.0 programmable graphics engine
	Display Memory	Optimized Unified Memory Architecture (UMA), support up to 512 MB frame buffer using system memory
	CRT Interface	Supports 1 x External VGA port by a DB-9 connector Resolution support up to 2048 x 1536 Pixel
	HDMI Interface	Onboard 1 of HDMI port connector
	Dual View	Two independent display engines built-in VX900 chipset, support CRT+HDMI at different resolutions, pixel depths, and refresh rates with completely two different video contents
Ethernet	Controller	Onboard VIA VT6130G Gigabit Ethernet controller
	Interface	Supports 1 x RJ45 connector Supports Wake-on LAN (WOL) Supports Pre-boot Execution Environment (PXE)
	HD Audio	Controller VIA VT2021 High Definition Audio Codec Interface Supports 3 x 3.5Φ Audio jack as speaker and Mic-in
Serial	USB Host	4 x USB ports, USB 2.0 compliant
	USB Device	1 x USB client port
Storage	HDD	Default support 1 x 2.5" SATA hard disk drive or SSD bay
	SD	Optional support 1 x SD card reader Comply with 480Mbps Universal Serial Bus specification rev. USB 2.0 MMC system specification 4.2 , SD memory card specification 2.0 , SDHC memory card, Micro SD
System Indicator	Power Status LED	1 x Red color LED
	HDD Activity LED	1 x Green color LED
Watch Dog Timer	Output	System reset
	Interval	Programmable 1~255 sec



Front System IO



Rear System IO



Specifications

Part Number	ATG-1150-1N12A1	
Front Panel External I/O Connectors	USB Host	2 x USB ports of min-DIN connectors
	USB Device	1 x USB client port of micro USB connector
	Audio Line-out	1 x 3.5Φ Audio jack as Line-out
	Audio Line-in	1 x 3.5Φ Audio jack as Line-in
	Audio Mic-in	1 x 3.5Φ Audio jack as Mic-in
Rear Panel External I/O Connectors	VGA	1 x D-Sub 15-pin female connector
	Dual USB 2.0	2 x USB ports of min-DIN connectors
	Gigabit LAN	1 x RJ45 connector of Gigabit Ethernet port
	HDMI	1 x HDMI connector
Left Panel External I/O Connectors	SD Slot	Optional support 1 x SD card slot
Power Supply	Power Consumption	Maximum 22.97 w Typical 17.41 w
	Input Voltage	Accept power input of DC 12V Typical power input 12 VDC @ 1.45 A
	Power Input Connector	DC power input connector by DC jack connector
	Input Power Protection	Supports over voltage protection Supports over current protection Supports under voltage protection
	Fuse Rating	7A @ 125V
Mechanical	Construction	Aluminum top chassis housing Aluminum chassis housing Front removable Aluminum face plate
	Mounting	Wall/Table/WESA mountable by optional mounting kits P/N:ATG-A1100-1WVZA1
	Dimensions (W x H x D)	146 (W) x 52 (H) x 99 mm (D)
	Weight	0.6 kg (1.32lbs)
Environmental Specification	Operating Temperature	0 °C up to 45°C
	Storage Temperature	-10°C ~ 60 °C
	Relative Humidity	0 ~ 90% @ 45°C, non-condensing
	Vibration Loading During Operation	0.6Grms, IEC 60068-2-64, random, 5 ~ 500Hz, 1 Oct./min, 1hr/axis
	Shock During Operation	20G, IEC 60068-2-27, half size, 11 ms duration
	EMC Approved	CE, FCC
Software Compatibility	Operation System	Microsoft Windows XP, Windows 7, Windows Embedded Standard, Windows Embedded Standard 7, Linux

Ordering Information

Part Number	System Built-in CPU	Description
ATG-1150-1D10A1	1.0GHz Eden™ X2	1.0GHz Eden™ X2 CPU Based Fanless Embedded System, with VGA, HDMI, 4 x USB 2.0, 2 x COM, 1 x GbE, 1 x Speaker, MIC-in DC-in 12V

Optional Accessories

External AC-to-DC Adapter and Power Cable

Part Number	Description
99G33-02034C	Power cord with PSE mark, 180 cm for Japan market
99G33-02033C	Power cord, 180 cm, Europe type
99G33-02031C	Power cord, 180 cm, UK type

SD Card Reader

Part Number	Description
EMIO-5130-00A1	1 x Slot SD card reader

WLAN Module

Part Number	Description
EMIO-1533-00A1	802.11 b/g/n Wireless LAN USB Module
EMIO-1530-80A1	802.11 b/g/ Wireless LAN USB Module for USA
EMIO-1530-90A1	802.11 b/g/ Wireless LAN USB Module for Europe

Mounting Bracket

Part Number	Description
ATG-A1100-1WVZA1	Wall/VESA mount dual function mounting bracket

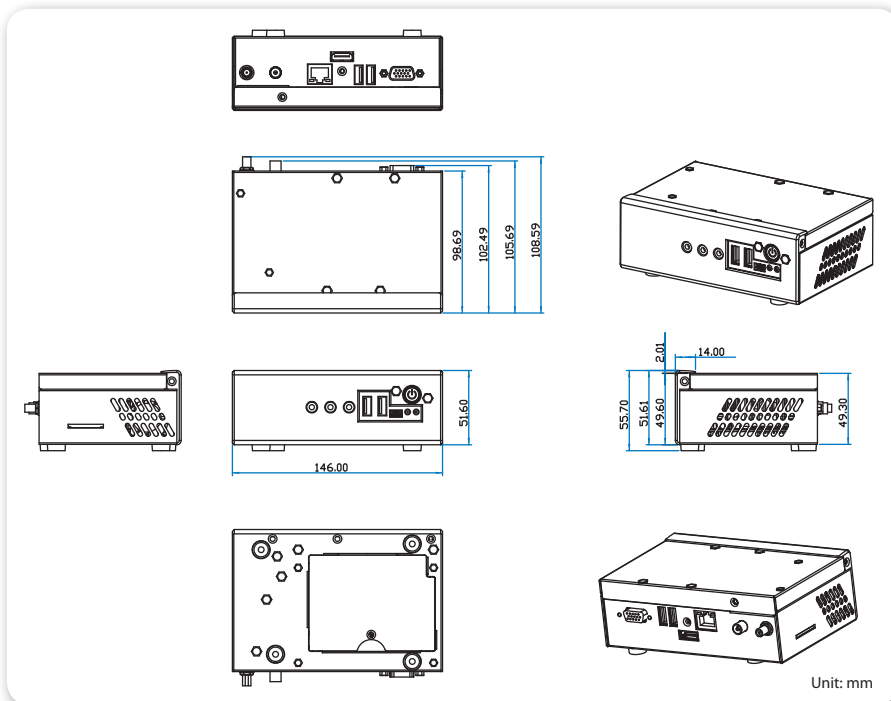
RAM Module, Flash Disk, and 2.5" Hard Disk Drive

Part Number	Description
99G06-010871	1GB DDR3-1333, 128M x 8bits SODIMM, Industrial Grade, 0°C~85°C, Transcend
99G06-01096K	1GB DDR3-1333, 128M x 8bits SODIMM, Industrial Grade, 0°C~85°C, Memoright
99G06-010901	2GB DDR3-1333, 256M x 8bits SODIMM, Industrial Grade, 0°C~85°C, Transcend
99G06-01097K	2GB DDR3-1333, 256M x 8bits SODIMM, Industrial Grade, 0°C~85°C, Memoright
99G06-010911	4GB DDR3-1333, 256M x 8bits SODIMM, Industrial Grade, 0°C~85°C, Transcend
99G06-01098K	4GB DDR3-1333, 256M x 8bits SODIMM, Industrial Grade, 0°C~85°C, Memoright
99G61-020173	320GB, Seagate 2.5" SATA II HDD, 5400RPM

Embedded OS (Only available for T-Parts OEM service)

Part Number	Description
POS-ME7SLI-ENS27	Windows Embedded Standard 7 64Bit SP1 Image & License For ARTiGO-A1150(EPIA-P900) English Version
POS-DLNXXI-ENS14	Debian Linux Image only For ARTiGO-A1150(EPIA-P900) English Version v.1.0

Dimensions



Packing List

- 1 x ARTiGO A1150 system
- 1 x Driver & Utility CD disk
- 1 x AC-to-DC adapter, DC 12V/5A, 60W
- 1 x Power cable, 180 cm, USA type
- 1 x Installation guide